



US00D895177S

(12) **United States Design Patent** (10) **Patent No.:** **US D895,177 S**
Smirnov (45) **Date of Patent:** **** Sep. 1, 2020**

- (54) **MOTORCYCLE**
- (71) Applicant: **FUELL Inc.**, New York, NY (US)
- (72) Inventor: **Artem Smirnov**, Minsk (BY)
- (73) Assignee: **FUELL Inc.**, New York, NY (US)
- (**) Term: **15 Years**
- (21) Appl. No.: **29/681,986**
- (22) Filed: **Feb. 28, 2019**
- (51) **LOC (12) Cl.** **26-06**
- (52) **U.S. Cl.**
USPC **D26/28**
- (58) **Field of Classification Search**
USPC D12/114, 110, 107, 117, 126, 186;
D26/28, 35
CPC B62J 6/02; F21S 41/28; F21S 43/31; F21S
43/241
See application file for complete search history.

D695,648	S	*	12/2013	Yamazaki	D12/110
D713,072	S	*	9/2014	Phutrakool	D26/28
D713,573	S	*	9/2014	Futamata	D26/28
D732,214	S	*	6/2015	Ishiguri	D26/28
D741,524	S	*	10/2015	Ohashi	D26/28
D742,566	S	*	11/2015	Kuriki	D26/28
D752,251	S	*	3/2016	Tsukui	D26/28
D761,984	S	*	7/2016	Kobayashi	D26/28
D773,698	S	*	12/2016	Yamada	D26/28
D796,087	S	*	8/2017	Futamata	D26/28
D822,863	S	*	7/2018	Kiska	D26/28
D823,501	S	*	7/2018	Kiska	D26/28
2007/0047249	A1	*	3/2007	Kogo	F21S 43/31 362/538

* cited by examiner

Primary Examiner — Michelle E. Wilson
Assistant Examiner — Clese Moore, Jr.
(74) *Attorney, Agent, or Firm* — Banner & Witcoff, Ltd.

(57) **CLAIM**

The ornamental design for a motorcycle, as shown and described.

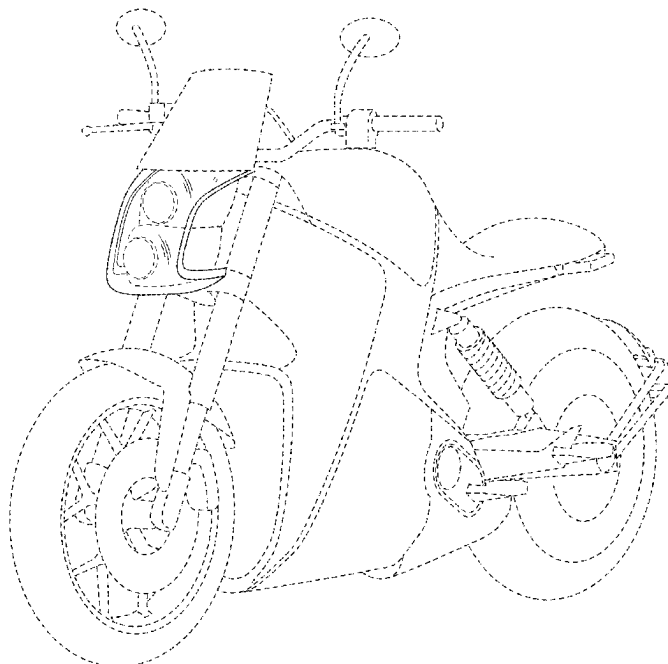
DESCRIPTION

FIG. 1 is a front, right perspective view of a motorcycle showing my new design;
FIG. 2 is a front, left perspective view thereof;
FIG. 3 is a right side view thereof;
FIG. 4 is a left side view thereof; and,
FIG. 5 is a top view thereof.
The broken lines immediately adjacent to the shaded area define the bounds of the claimed design and form no part thereof. The broken lines depicting the remainder of the motorcycle show features that form no part of the claimed design.

1 Claim, 5 Drawing Sheets

(56) **References Cited**
U.S. PATENT DOCUMENTS

D496,613	S	*	9/2004	Everitt	D12/182
D523,168	S	*	6/2006	Reed	D26/139
D559,738	S	*	1/2008	Takigawa	D12/110
D568,501	S	*	5/2008	Nakazawa	D26/28
D573,734	S	*	7/2008	Watanabe	D26/28
D580,076	S	*	11/2008	Ichihara	D26/28
D602,617	S	*	10/2009	Kogo	D26/28
D617,020	S	*	6/2010	Ishiguri	D26/28
D638,151	S	*	5/2011	Hung	D26/28
D649,914	S	*	12/2011	Marasco	D12/110
D652,769	S	*	1/2012	Kudo	D12/110
D692,167	S	*	10/2013	Yamazaki	D26/28
D693,275	S	*	11/2013	Murakami	D12/110



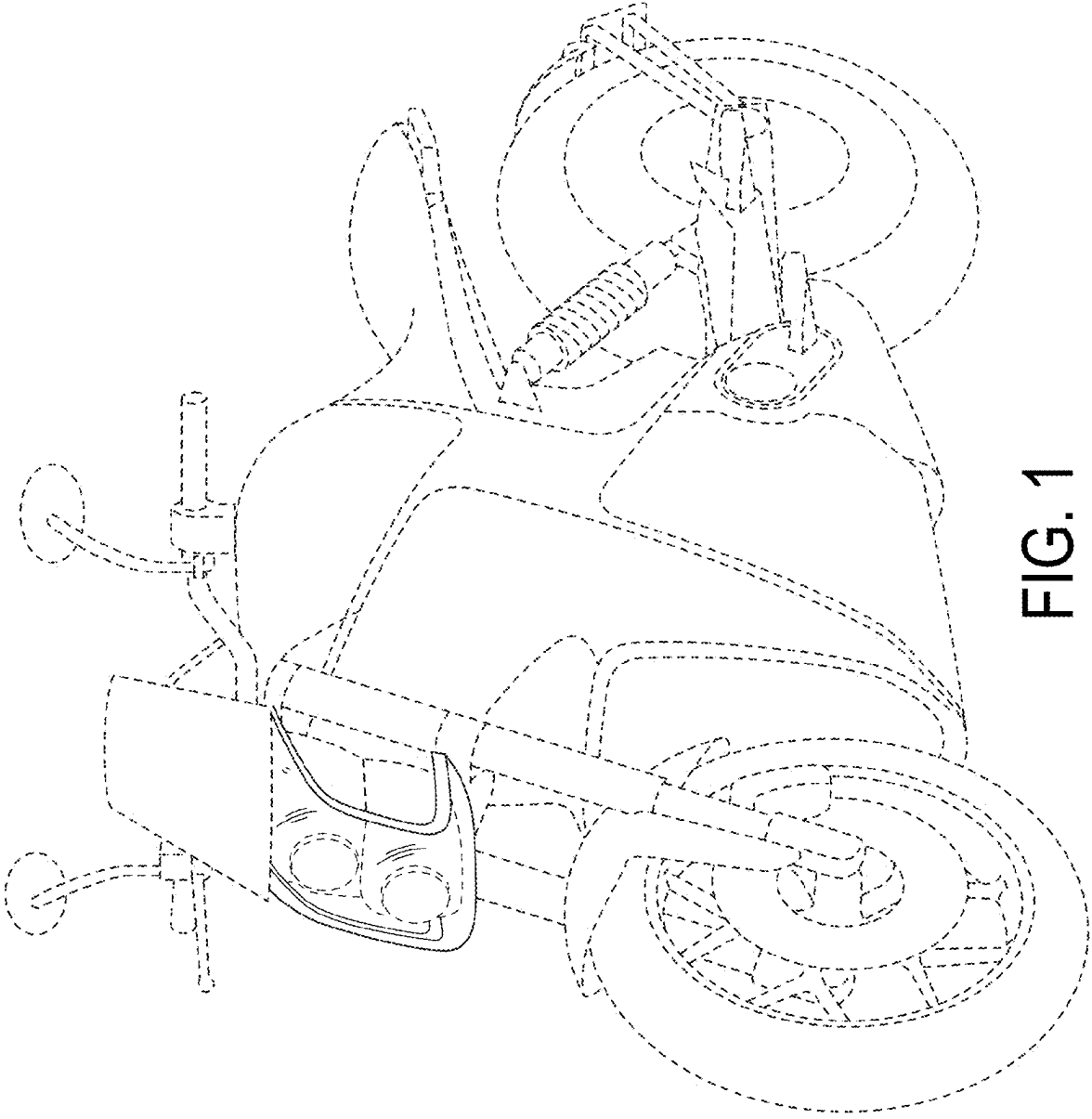


FIG. 1

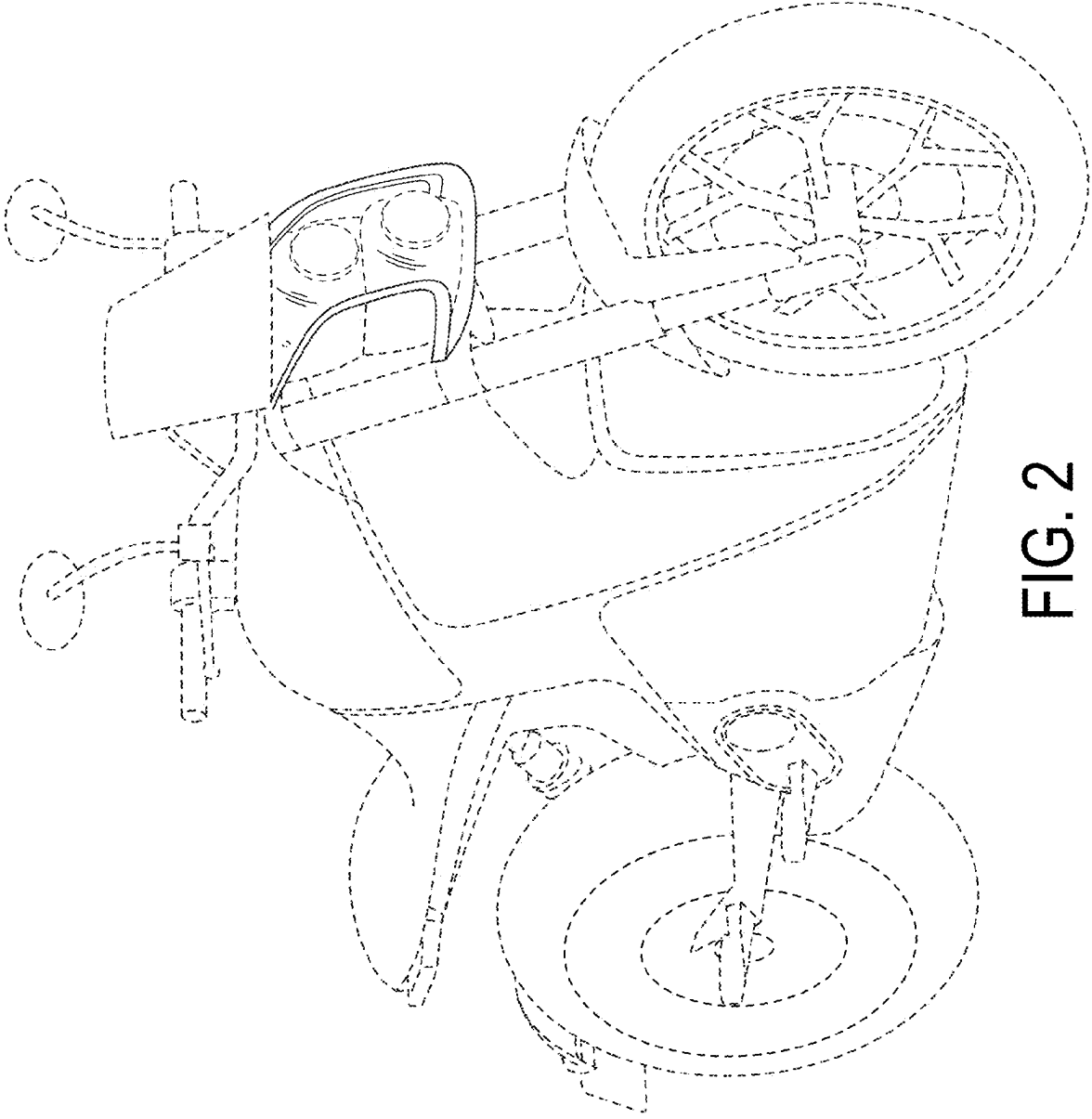


FIG. 2

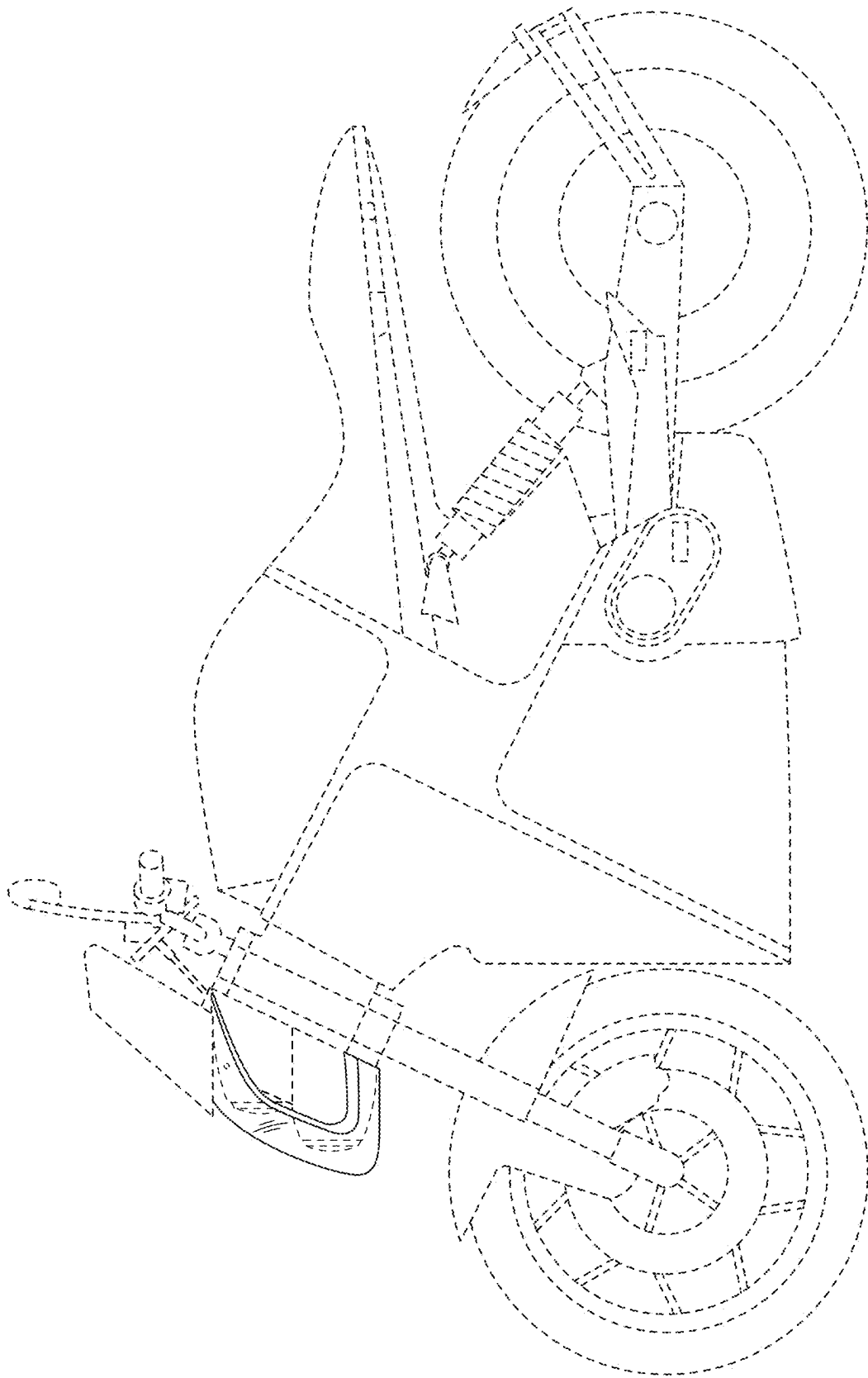


FIG. 3

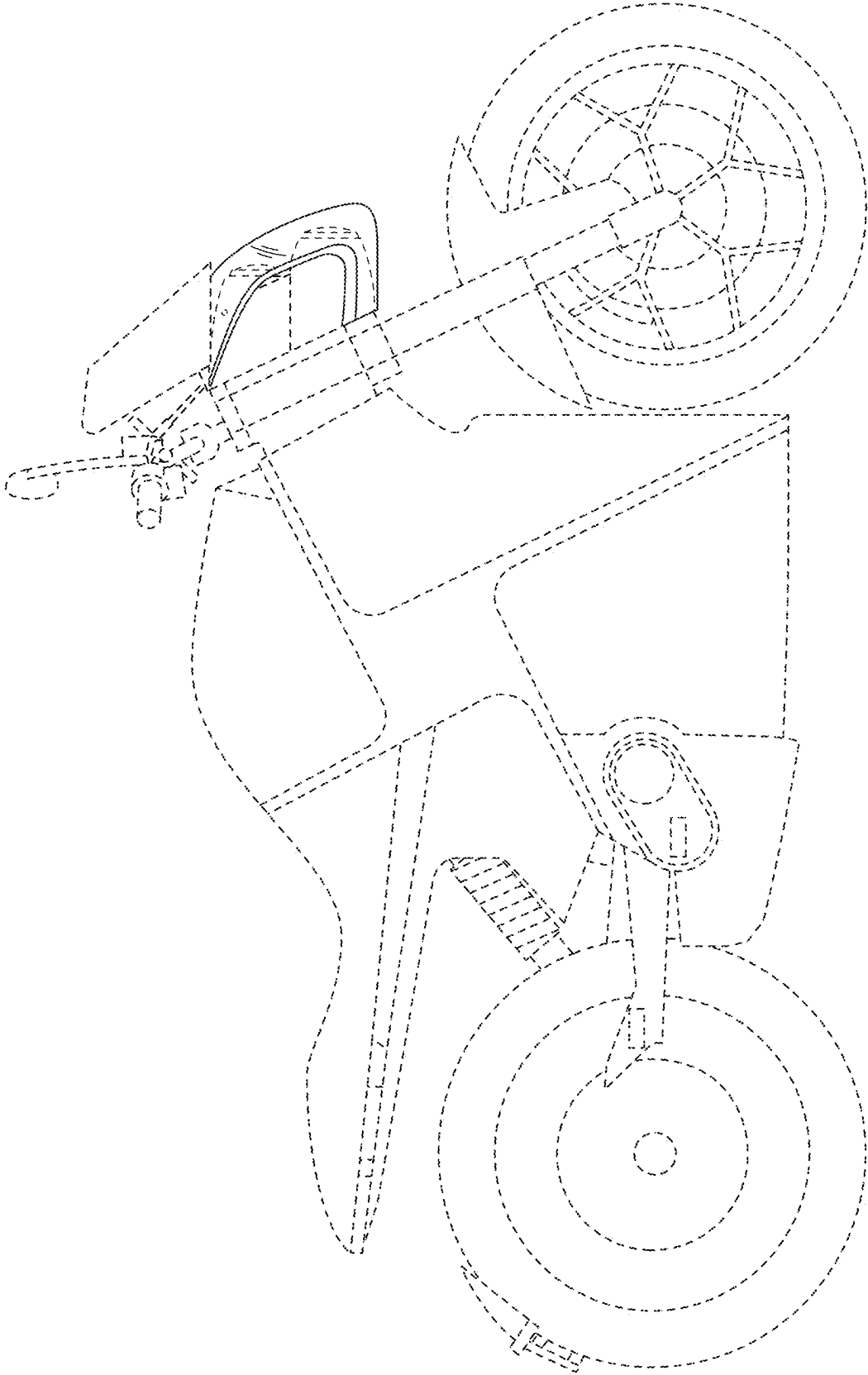


FIG. 4

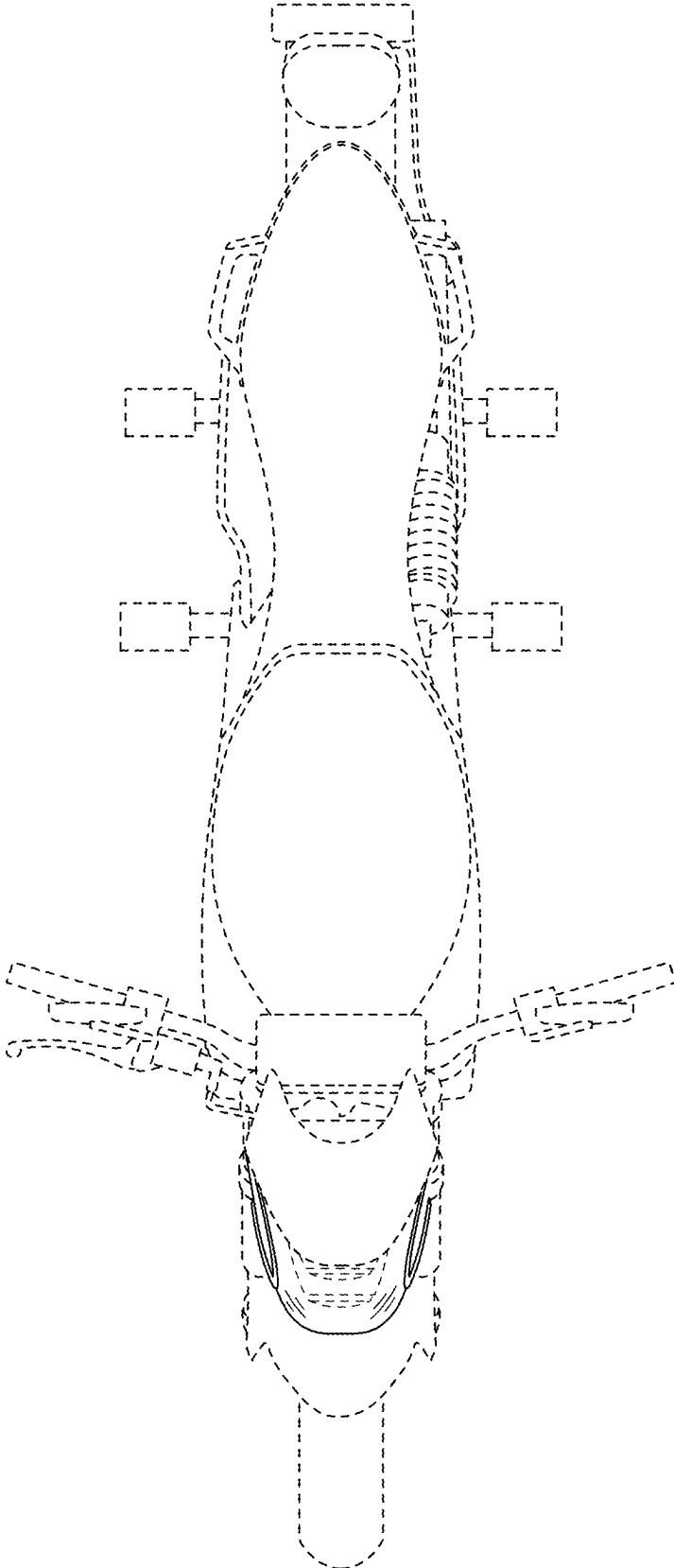


FIG. 5