



US00D894053S

(12) **United States Design Patent** (10) **Patent No.:** **US D894,053 S**
Buell et al. (45) **Date of Patent:** **** Aug. 25, 2020**

(54) **MOTORCYCLE**
(71) Applicant: **FUELL Inc.**, New York, NY (US)
(72) Inventors: **Erik Buell**, Mukwonago, WI (US);
Ryan Hahn, New York, NY (US);
Artem Smirnov, Minskaya Region (BY)
(73) Assignee: **FUELL Inc.**, New York, NY (US)
(**) Term: **15 Years**
(21) Appl. No.: **29/681,949**
(22) Filed: **Feb. 28, 2019**
(51) **LOC (12) Cl.** **12-11**
(52) **U.S. Cl.**
USPC **D12/114**
(58) **Field of Classification Search**
USPC D12/114, 110, 107, 117, 126, 182, 186
CPC ... B62J 17/00; B62J 17/02; B62J 17/04; B62J
23/00; B62J 6/02; B62K 11/00; B62K
11/04
See application file for complete search history.

D683,274 S * 5/2013 Yanagita D12/126
D689,411 S * 9/2013 Tsukui D12/126
D689,800 S * 9/2013 Futamata D12/126
D690,625 S * 10/2013 Futamata D12/126
D690,627 S * 10/2013 Tsukui D12/126
D694,157 S * 11/2013 Katagiri D12/126
D695,157 S * 12/2013 Tsukui D12/126
D711,291 S * 8/2014 Futamata D12/114
D712,314 S * 9/2014 Katagiri D12/114
D733,011 S * 6/2015 Nishimoto D12/126
D776,017 S * 1/2017 Takigawa D12/114
D782,369 S * 3/2017 Fujimoto D12/114
D786,141 S * 5/2017 Tachibana D12/114
D795,750 S * 8/2017 Futamata D12/114
D803,107 S * 11/2017 Petersson D12/126
D826,790 S * 8/2018 Sears, Jr. D12/126
D840,279 S * 2/2019 Tako D12/126

* cited by examiner

Primary Examiner — Michelle E. Wilson
Assistant Examiner — Clese Moore, Jr.
(74) *Attorney, Agent, or Firm* — Banner & Witcoff, Ltd.

(57) **CLAIM**

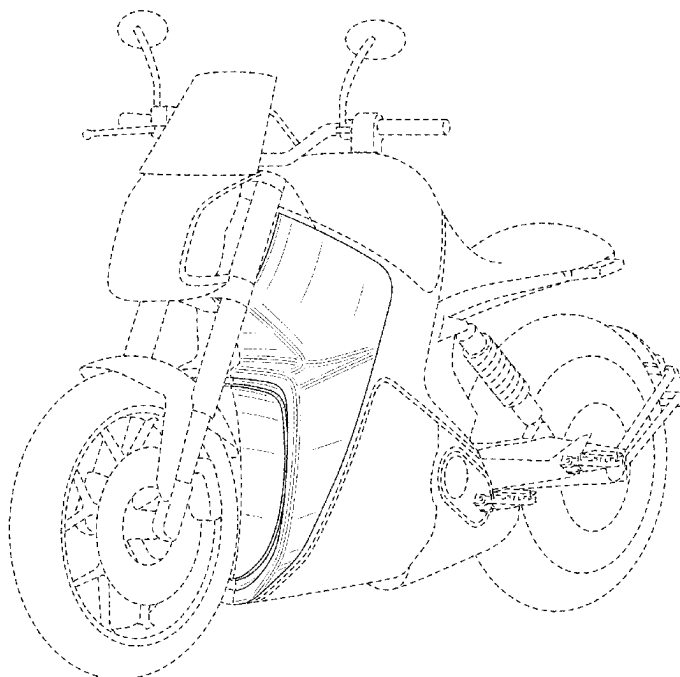
The ornamental design for a motorcycle, as shown and described.

DESCRIPTION

FIG. 1 is a front, right perspective view of a motorcycle showing our new design; and, FIG. 2 is a right side view thereof. The broken lines immediately adjacent to the shaded area define the bounds of the claimed design and form no part thereof. The broken lines depicting the remainder of the motorcycle show features that form no part of the claimed design.

1 Claim, 2 Drawing Sheets

(56) **References Cited**
U.S. PATENT DOCUMENTS
D526,606 S * 8/2006 Ban D12/182
D538,718 S * 3/2007 Tako D12/182
D579,834 S * 11/2008 Sawabe D12/126
D582,822 S * 12/2008 Watanabe D12/186
D584,662 S * 1/2009 Ichihara D12/126
D608,260 S * 1/2010 Toriyama D12/186
D639,218 S * 6/2011 Katagiri D12/186
D649,915 S * 12/2011 Aiello D12/110
D674,323 S * 1/2013 Tokumura D12/126



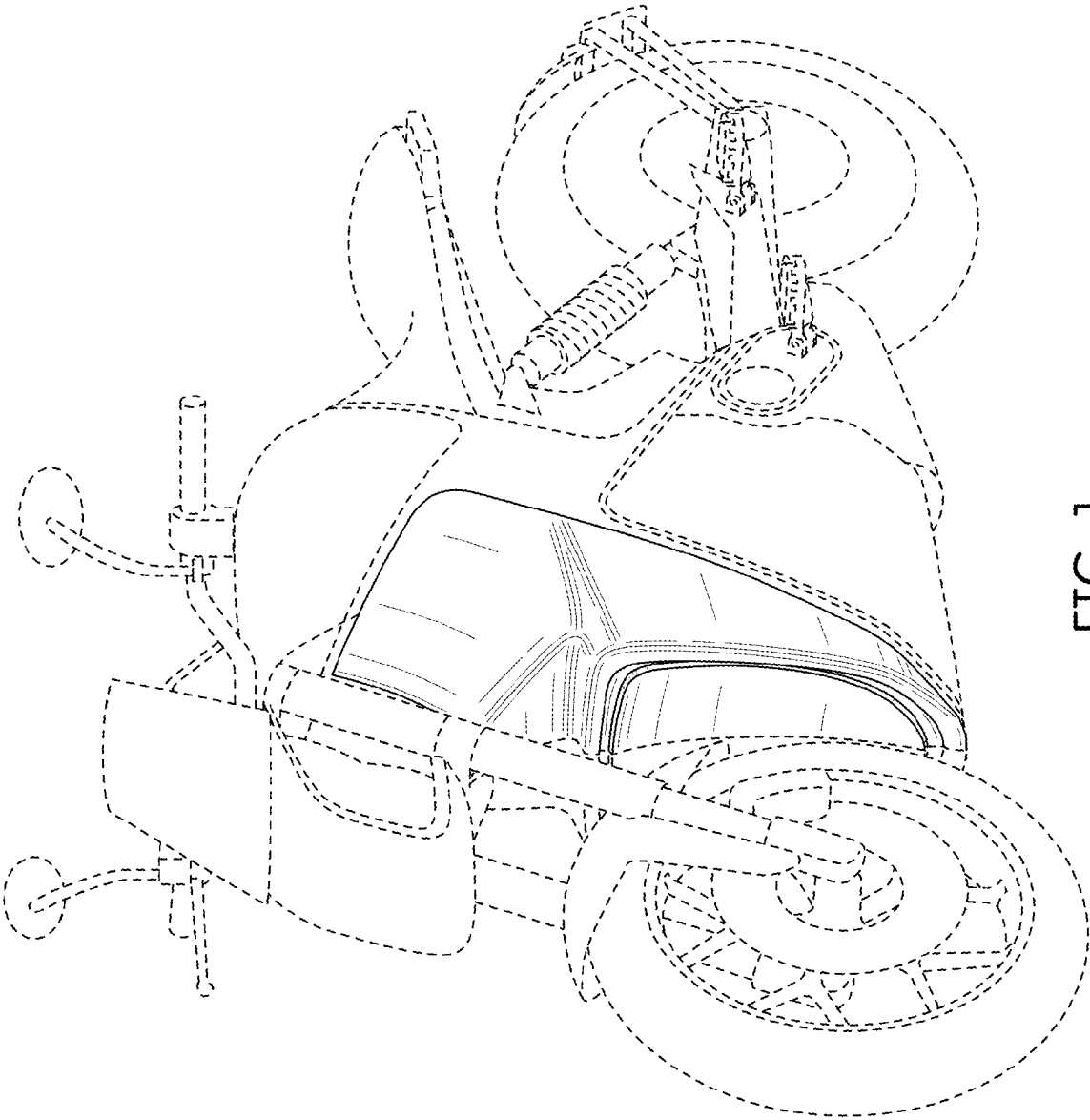


FIG. 1

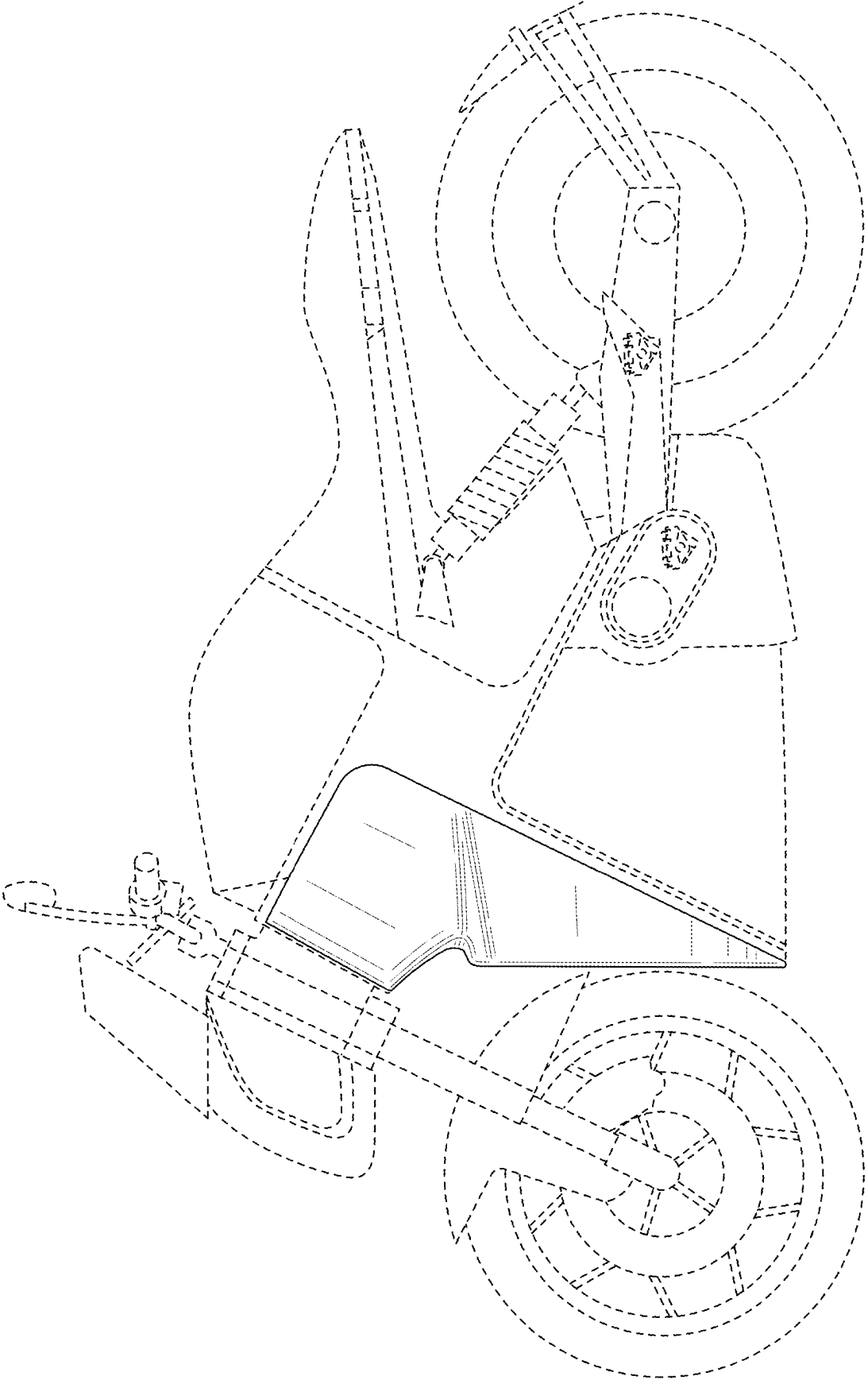


FIG. 2